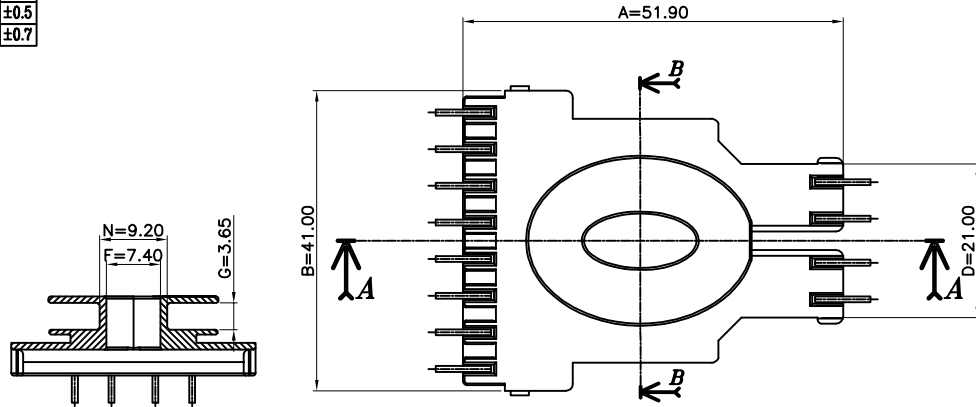
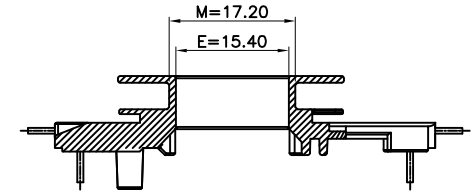
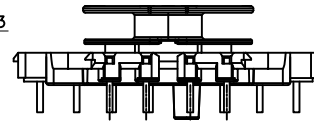
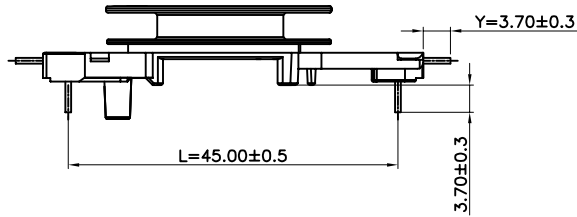
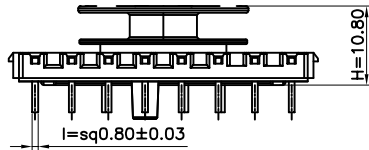
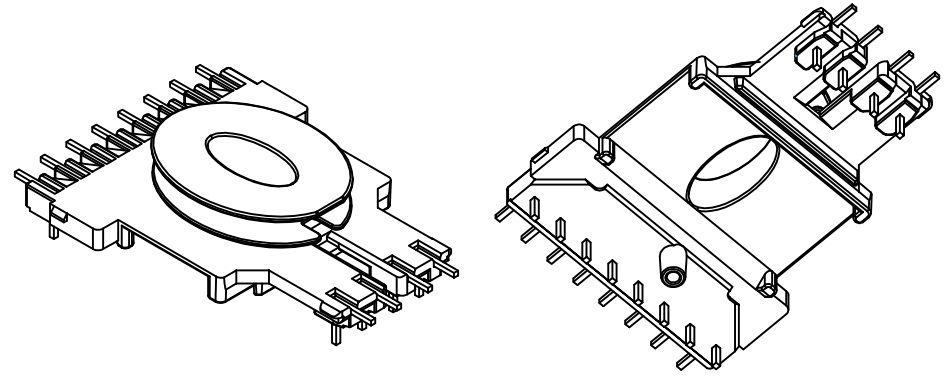


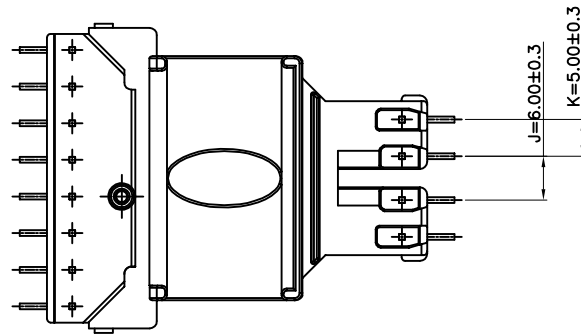
TOLERANCE	
0≤L≤16	±0.2
16≤L≤50	±0.3
50≤L≤63	±0.4
63≤L≤75	±0.5
75≤L≤100	±0.7



SECTION B-B



SECTION A-A



MARK			REVISION NOTE			DATE	DRAWN	CHECKED	APPROVED
△									
△									
△									
△									
DRAWN	CHECKED	APPROVED	MATERIAL : PHENOL	UL REC. : UL94V-0	THIRD ANGLE PROJ.	SCALE : 1/1			
KM, Seo	SH, Kim	C, Park	Z : PIN LENGTH (According to customer's request)	DATE : 2016.09.08	PIN TENSILE FORCE : 1.0 Kgf	UNIT : m/m			
주식회사 대흥보빈 DAE HEUNG BOBBIN CO., LTD			TITLE EED 40*14 "V" (12P) (B)			DWG NO DH-161031-2097-02			